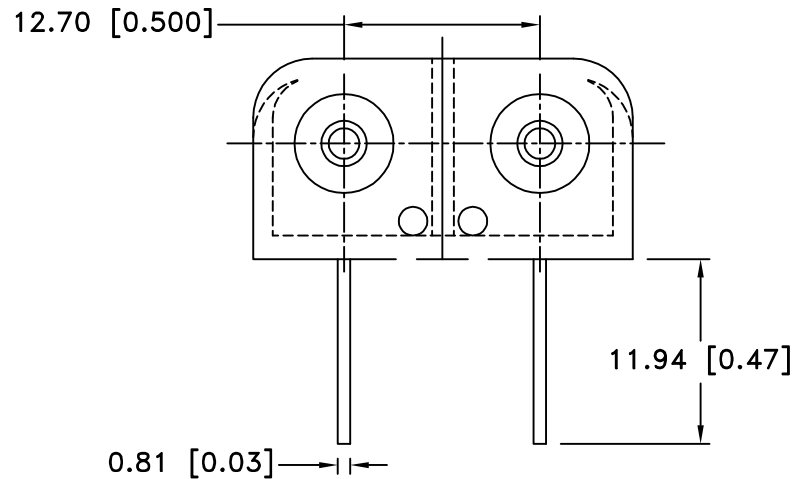
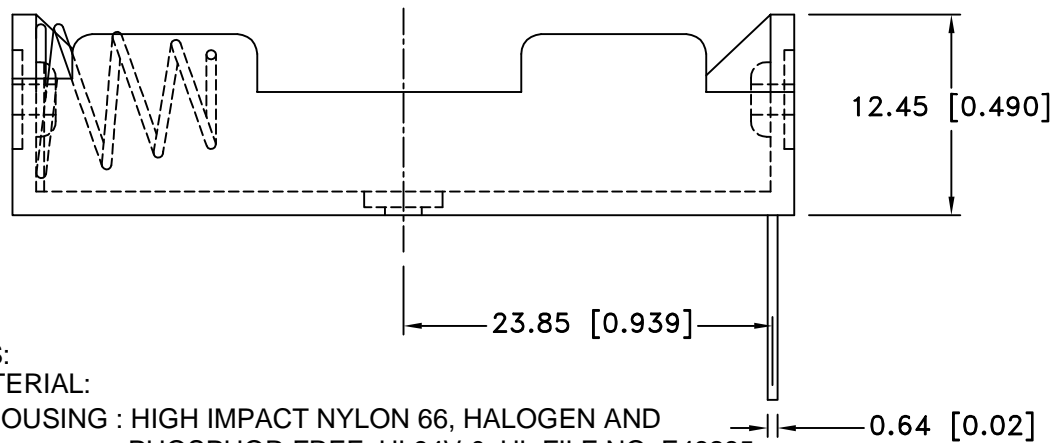
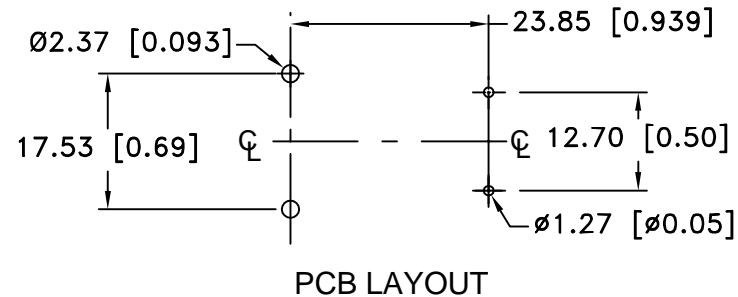
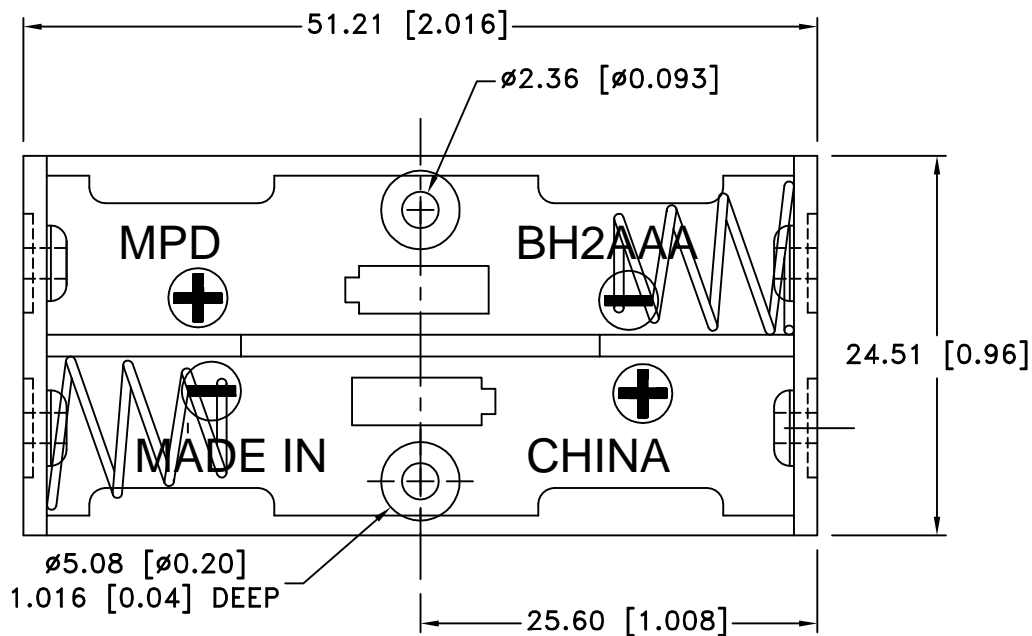


Date	SYM	REVISION RECORD	AUTH	DR.	CK.
12/26/03	A	CHANGED MATERIAL SPECIFICATION	T.B.	B.S.	
1/14/06	B	ADDED "ROHS COMPLIANT"	T.B.	B.S.	
5/20/06	C	UPATED PCB LAYOUT	T.B.	B.S.	




**NOTES:**

**1. MATERIAL:**

- HOUSING : HIGH IMPACT NYLON 66, HALOGEN AND PHOSPHOR FREE, UL94V-0, UL FILE NO. E48285
- RIVETS: BRASS, NICKLE PLATED.
- SPRING: 302 STAINLESS STEEL, NICKLE PLATED.
- PC PINS: 302 STAINLESS STEEL, NICKEL PLATED.
- TEMPERATURE RANGE: -40°C TO +140°C
- RESISTANT TO SOLVENTS, COMMON OILS AND REFRIGERANTS
- ROHS COMPLIANT

**MOUNTING INSTRUCTION:**

USE 2-56 MACHINE SCREWS OR EYELETS 0.089" OD BY 0.15" FLANGE STIMPSON GS-3 SERIES OR EQUIVALENT. ALSO ADHESIVES AND DOUBLE SIDED TAPES WORK WELL.

Tolerance (Except as noted)	 <b>Memory Protection Devices, Inc</b> 200 Broad Hollow Road, Farmingdale, New York 11735	Scale	Drawn By B.S.
			Approved By T.B.
decimal $\pm .5$ (.020)	Title TWO "AAA" CELL HOLDER	Date 5/20/06	
Fractional $\pm .8$ (.030)		Drawing Number BH2AAAPC	
Angular $\pm 3^\circ$			